

# JUST Series -Long Life Standby

## GEL 12V 150AH

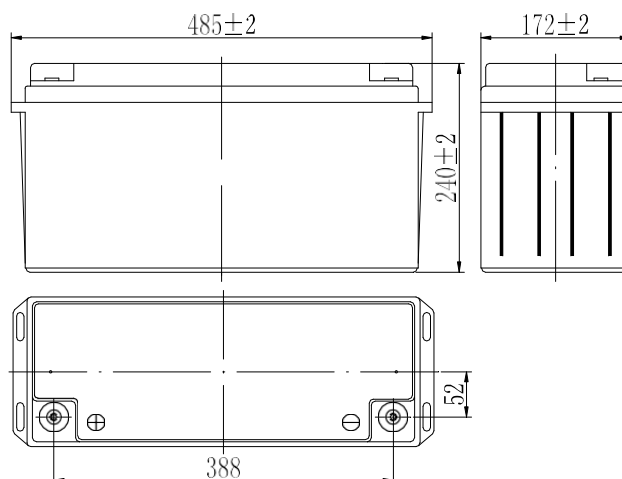
### Specification

Nominal Voltage		12 V
Capacity (25°C)	20HR(10.5V)	150Ah
	5HR(10.2V)	116.5Ah
	1HR(9.6V)	87.3Ah
Dimension	Length	485 ± 2mm (19.09inch)
	Width	172 ± 2mm (6.77inch)
	Height	240 ± 2mm (9.45inch)
	Total Height	240 ± 2mm (9.45inch)
Approx. Weight		43.1kgs (9F.02lbs) ± 4%
Terminal type		T11
Internal resistance (Fully charged, 25°C)		Approx. 4.2mΩ
Capacity affected by temperature (10HR)	40°C	103%
	25°C	100%
	0°C	88%
	-15°C	70%
Self-discharge (25°C)	3 month	Remaining Capacity: 94%
	6 month	Remaining Capacity: 88%
	12 month	Remaining Capacity: 75%
Nominal operating temperature		25°C ± 3°C (77°F ± 5°F)
Operating temperature range	Discharge	-15°C ~ 55°C (5°F ~ 131°F)
	Charge	-10°C ~ 55°C (14°F ~ 131°F)
	Storage	-20°C ~ 55°C (-4°F ~ 131°F)
Float charging voltage(25°C)	13.50 to 13.80V Temperature compensation: -18mV/°C	
Cyclic charging voltage(25°C)	14.10 to 14.40V Temperature compensation: -30mV/°C	
Maximum charging current	30A	
Terminal material	Copper	
Maximum discharge current	1500A(5 sec.)	
Designed floating life(20°C)	15 years	

- ◆ Absorbent glass mat technology;
- ◆ Recognized by RoHS& CE;
- ◆ ABS container.



### Dimensions



### Constant Current Discharge (A m peres) at 25 °C (77°F )

F.V/TIME	15min	30min	60min	2h	3h	4h	5h	6h	8h	10h	20h	48h	120h
9.60V	203	140	87.3	51.0	36.0	28.3	23.7	20.2	15.8	14.0	7.67	---	---
9.90V	198	137	86.0	50.7	35.7	28.1	23.6	20.1	15.7	14.0	7.65	---	---
10.2V	190	133	83.8	50.3	35.5	27.9	23.4	19.9	15.6	14.0	7.63	3.35	---
10.5V	184	130	82.1	49.5	35.3	27.8	23.3	19.8	15.5	13.9	7.50	3.32	1.50
10.8V	174	125	79.6	48.2	34.2	26.9	22.6	19.2	15.0	13.8	7.53	3.32	1.50

### Constant Power Discharge (W atts) at 25 °C (77°F )

F.V/TIME	15min	30min	60min	2h	3h	4h	5h	6h	8h	10h	20h	48h	120h
9.60V	2260	1594	1006	594	425	335	282	240	188	169	92.4	---	---
9.90V	2206	1562	991	590	422	333	280	239	187	168	92.3	---	---
10.2V	2124	1514	965	585	420	330	278	237	186	168	92.0	40.1	---
10.5V	2052	1477	946	576	417	328	276	235	184	167	90.4	39.8	16.6
10.8V	1944	1423	917	562	404	318	268	228	179	166	90.8	39.8	16.5

Note: The above characteristics data can be obtained within three charge/discharge cycles.

# JUST Series - Long Life Standby GEL Characteristics Curve

